

THE SQUARE GAZEBO

ASSEMBLY INSTRUCTIONS

Cedarshed Industries (1992) Inc.
9770 - 199A Street
Langley, BC V1M 2X7
Canada

April 26, 2004 Rev. C



THE SQUARE GAZEBO

ASSEMBLY INSTRUCTIONS

The following are the main steps in the assembly sequence:

1. JOIST SYSTEM ASSEMBLY
2. FLOOR ASSEMBLY
3. FLOOR DECKING INSTALLATION
4. WALL ASSEMBLY
5. MOUNTING WALL SECTIONS
6. UPPER BALUSTER SECTIONS AND CORNER BRACKETS
7. RAFTERS AND SHINGLES ASSEMBLY
8. ROOF SHINGLES AND CUPOLA AND RIDGE CAPS INSTALLATION

Two people are required although a third person may be helpful particularly when working on the roof and floor structure. Prior to assembling the Square Gazebo, carefully read all instructions.

A FEW WORDS ABOUT THE CARE AND COSMETICS OF YOUR PANELIZED CEDAR SQUARE GAZEBO

Your Cedarshed Square Gazebo is made of Western Red Cedar, a beautiful and durable outdoor wood that will enhance your leisure space and enhance your property and provide years of enjoyable use.

Natural, unfinished Western Red Cedar, when exposed to the elements, will weather to a beautiful silvery gray. If you prefer to maintain the natural tones of Western Red Cedar, please ask your Authorized Cedarshed Dealer to recommend a quality stain, which is applied after assembly.

You may also notice occasional coloured chalk or crayon markings on parts of the wood. These markings can be removed with damp cloth or very fine sandpaper.

When we package your Square Gazebo for shipping, it is wrapped in an environmentally friendly paper product, and held in place by staples. Be sure that all of the staples are removed – a pair of pliers may be necessary.

Note:

Assembly of the Square Gazebo will require the use of power tools. Please take precautions at all times.

The customer agrees to hold Cedarshed Industries (1992) Inc. (Cedarshed) and any of our Authorized Dealers free of liability due to improper installation, maintenance and repair of any Cedarshed products.

Obtaining necessary municipal, county, or state permits is the sole responsibility of the purchaser.

Please see our website at www.cedarshed.com for additional safety points and other considerations to promote safe and enjoyable usage of your new Square Gazebo for many years to come.

PARTS LIST:

To confirm you have received all parts, sort pieces according to list below. Call or e-mail us immediately if you are missing any parts and we will courier the missing part(s) immediately, free of charge.

Toll Free Customer Support Line:
1-800-830-8033.

E-mail:
Sales@cedarshed.com

If you plan on assembling a Cedarshed product over the course of several days, please cover any pieces to keep them sheltered from the elements.

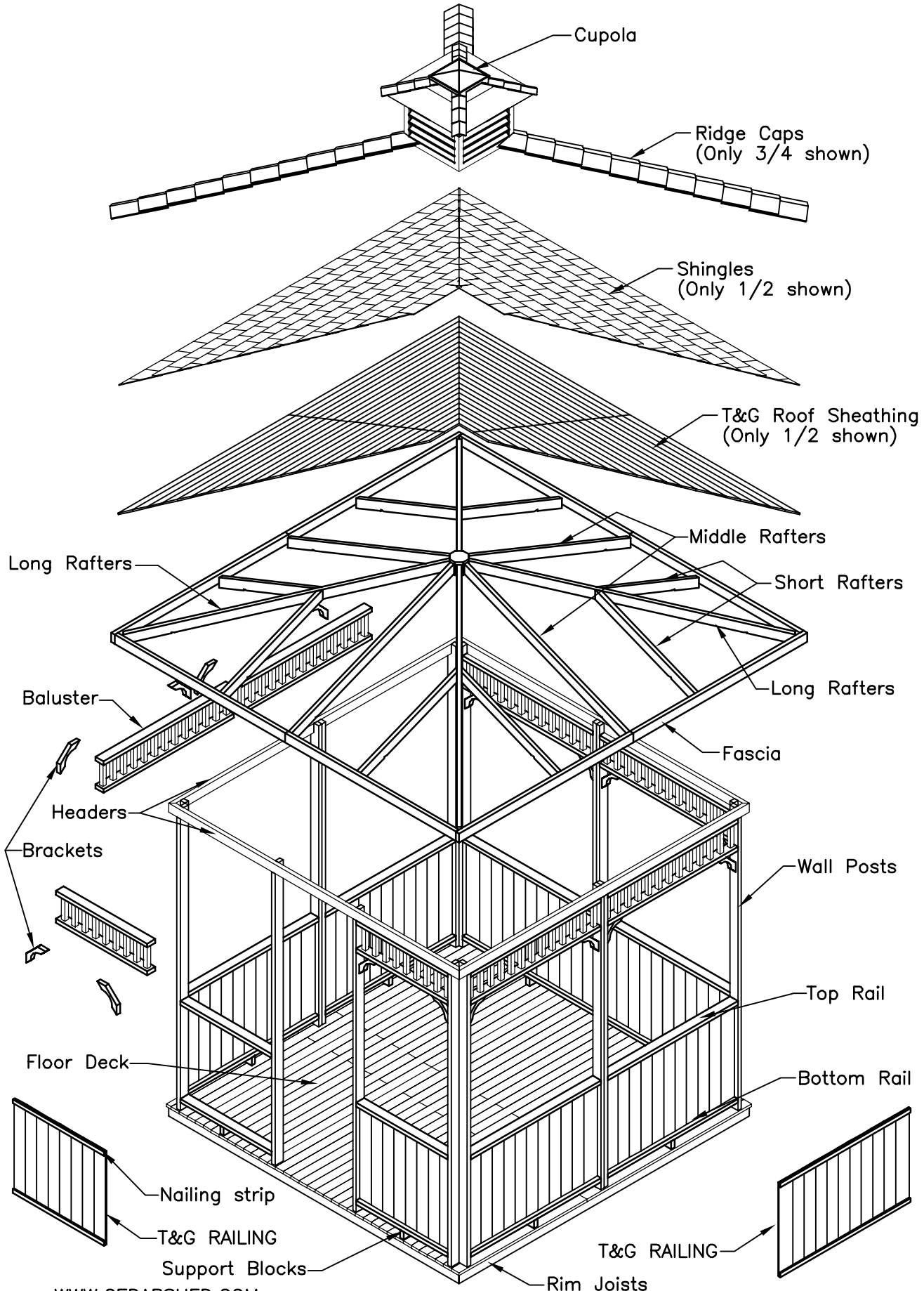
Not included in kit:
- Patio slabs for a level and secure foundation
- Deck stain
- Foundation anchorage

Part Name	Size or Type	Pre-cut	Panelized
Rim Joist	2x4x127 $\frac{1}{8}$	4	4
Interior Joist	2x4x124 $\frac{1}{8}$	4	4
Long Bridge Joist	2x4x257 $\frac{1}{8}$	4	4
Short Bridge Joist	2x4x145 $\frac{1}{8}$	1	1
Long Decking Planks	2x4x72	36	N/A
Short Decking Planks	2x4x56 $\frac{1}{8}$	36	N/A
Decking Panels	Panels	N/A	4
Corner Posts	2x4x7ft.	8	8
Center Posts	2x4x7ft.	6	6
Doorway Posts	2x4x7ft.	2	2
Top Handrails – Round	2x4x58 $\frac{7}{16}$	6	6
Top Handrails – Round	2x4x41 $\frac{1}{2}$	2	2
Bottom Rails	2x4x58 $\frac{7}{16}$	6	6
Bottom Rails	2x4x41 $\frac{1}{2}$	2	2
T&G	1x6x30	2	N/A
Nailing Strips	$\frac{3}{4}$ x $\frac{3}{4}$	2	N/A
Fillet for T&G Long	$\frac{3}{4}$ x $\frac{3}{4}$	12	N/A
Fillet for T&G Short	$\frac{3}{4}$ x $\frac{3}{4}$	4	N/A
T&G Side Wall Panels	Panels	N/A	6 (Long)
T&G Side Wall Panels	Panels	N/A	2 (Long)
Support Blocks	2x4x3 $\frac{1}{2}$	8	8
Croner Brackets	–	16	16
Upper Balusters Long	–	6	6
Upper Balusters Short	–	2	2
Header's	–	4	4
Bundles of Shingles	–	9	N/A
Bundles of Ridge Caps	–	3	N/A
Roof			
Corner Rafter	2x4	4	N/A
Center Rafter	2x4x78	4	N/A
Right Short Rafter	2x4	4	N/A
Left Short Rafter	2x4	4	N/A
Fascia	1x4x7ft	8	8
Bundles of Roof Panels	–	N/A	4 Right
	–	N/A	4 Left
Core Block	4x4x8 Sided	1	1
Roof Cap	4 Sided	1	1
Roofing Felt	1 Roll	1	N/A
T&G Roof Ceiling	Panels	N/A	4 Bundles

Toll Free: 1-800-830-8033

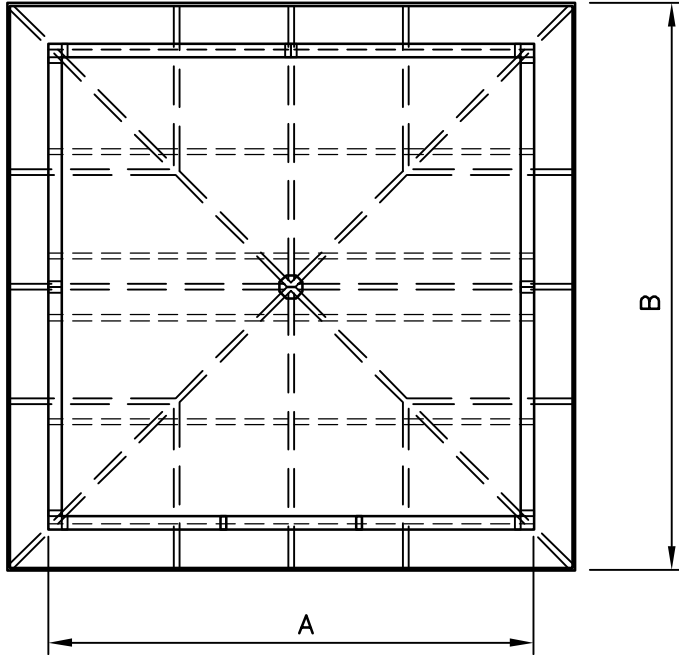
EMAIL: Sales@Cedarshed.com

COMPONENTS ILLUSTRATION:



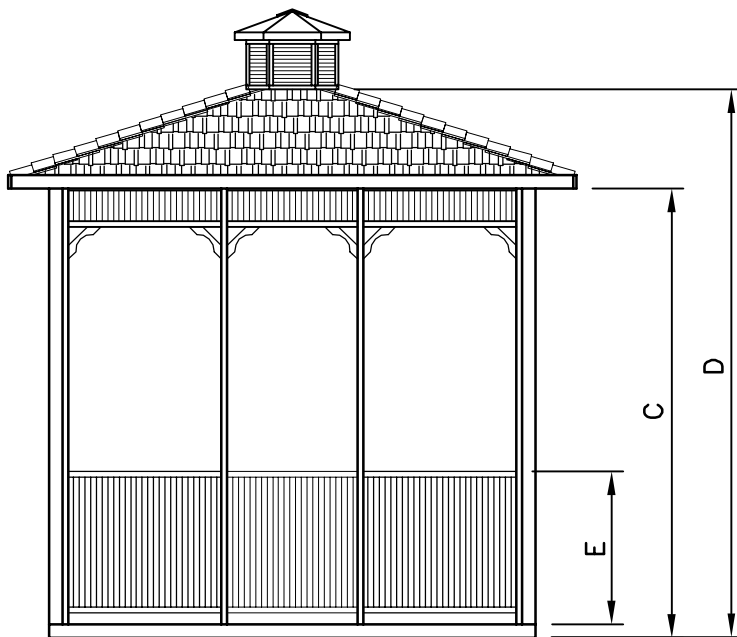
SQUARE GAZEBO SPECIFICATIONS

All Gazebos are constructed of 100% Western Red Cedar.
 All framing components are nominal 2"x4" in size.
 Wall posts consist of 2 - 2"x4" fastened together.



PLAN VIEW

Measurements For Square Gazebo	
Dimensions (Imperial)	
Size	10'-9½" x 10'-9½"
Inside Area	100 Sq. Ft.
A	10'-7"
B	12'-3"
C	9'-6"
D	10'-4"
E	3'-1"
Door	2'-10"x6'-1"
Weight	1700 lbs
Precut Package Size	48"Wx130"Lx35"H
Panelized Package Size	87"Wx96"Lx30"H



SIDE VIEW

PRE-ASSEMBLED COMPONENTS

● The Square Gazebo is shipped from the factory in pre-cut kit or panelized kit to assist with the ease of construction.

TOOLS REQUIRED

Hammer
Electric power drill(s) or cordless drill(s) (with extra batteries) with appropriate screw bits
3' Carpenter's level
Measuring tape
Garden shovel (for site work)
Skill saw
Pencil
8' ft. step ladder
Landscaping tools

Box of 3" decking screws
Box of 2" screws
1 $\frac{3}{4}$ " galvanized casing nails
2" Ridge cap nails
1" roofing nails

Note:

Assembly of the Square Gazebo will require the use of power tools. Please consider safety precautions at all times.

1. Joist System Assembly

● It is recommended that the construction of the Square Gazebo be done on leveled foundation and in its final sitting location. It is extremely important to level the floor assembly; otherwise you will encounter difficulties later when trying to install the wall posts and roof systems if the floor is not properly leveled.

● Place the 4 rim joists as shown in Figure S1. Fasten them together using 2–3" long screws per joint.

● Use the long and short bridge joist to properly affix the interior joist. See Figure S2 for details.

● Place one 3" long screw through the rim joist and into the floor joist as shown in Figure S2. Then, move the bridge joists over to the opposite side of the floor to affix the floor joist into the rim joist as well.

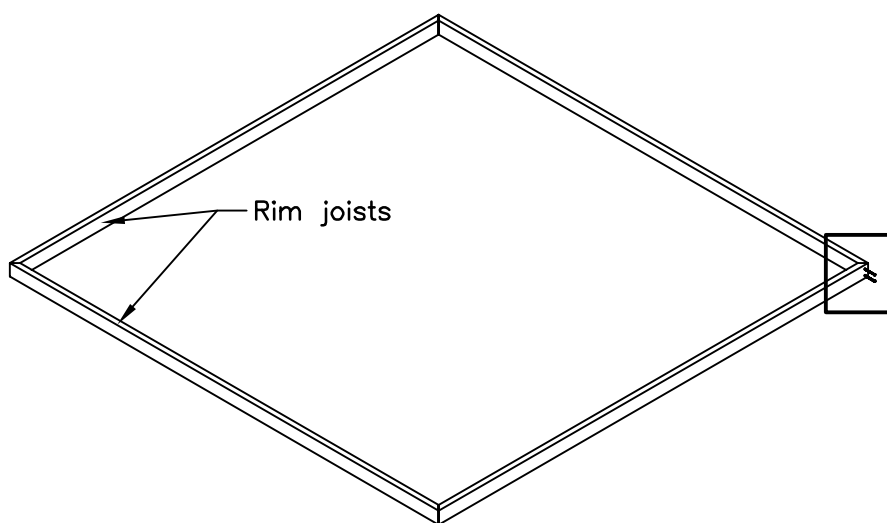


FIGURE S1

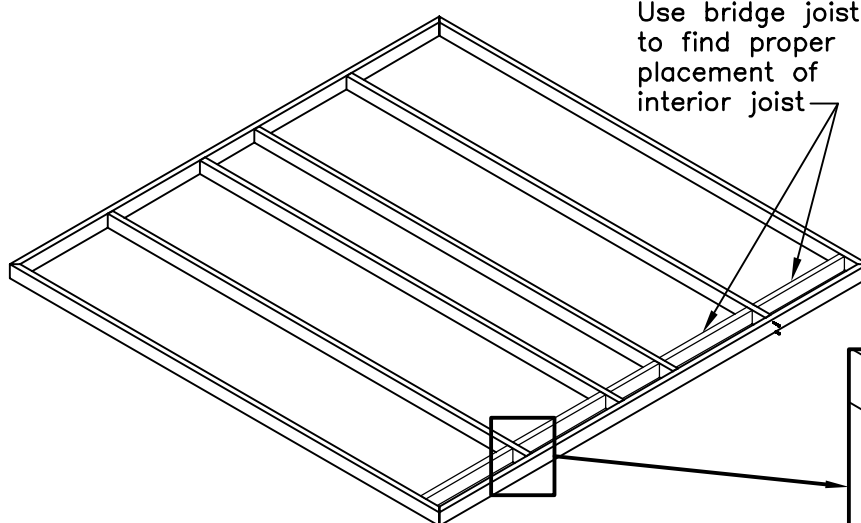
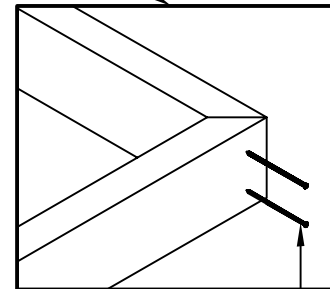
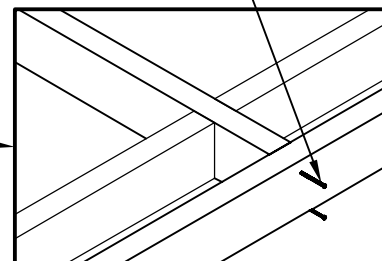


FIGURE S2

Using 2–3" long screws secure the rim joists together at each corner



Toll Free: 1-800-830-8033

EMAIL: Sales@Cedarshed.com

- Screw the bridge joists into place as per Figure S3.

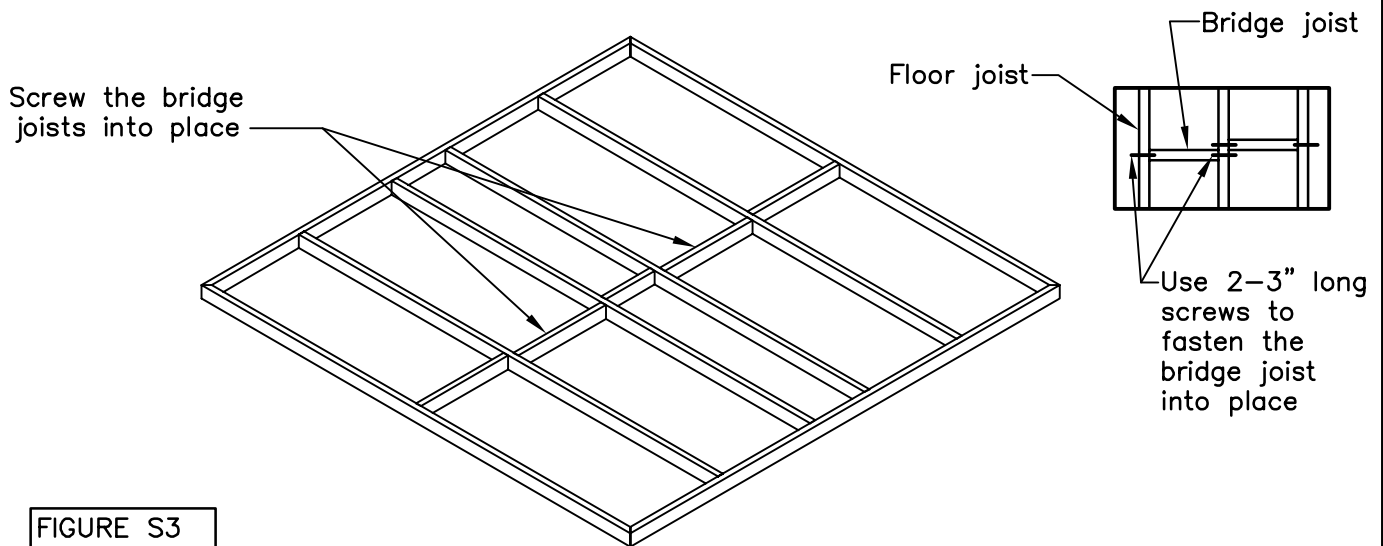


FIGURE S3

2. Floor Assembly

- Take the 16 two inch thick concrete blocks and place them under 16 foundation bearing points as outlined in Figure S4.
- Take small pieces of shims and place them under the bearing points to help level the floor assembly. To make this exercise a bit simpler, it is recommended that the outside bearing points be leveled first.
- The doorway of the Square gazebo must be designated at this point as it will constitute the 15 & 16 bearing point.
- Place concrete patio slabs as shown in Figure S4.

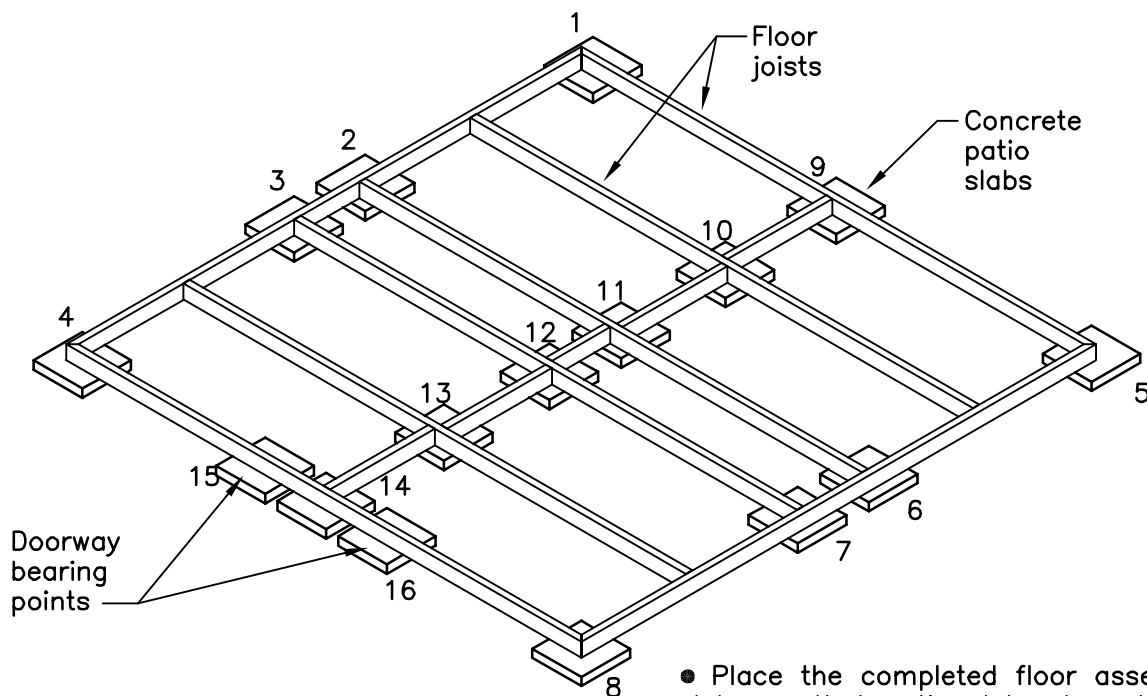


FIGURE S4

- Place the completed floor assembly onto slabs so that patio slabs do not extend too far beyond the edge of the Gazebo. Visit our website at WWW.CEDARSHED.COM for details on the type of foundation you may wish to use.

3. Floor Decking Installation

- The decking come in either precut kit or panelized units. See steps A or B accordingly as per your purchase.

A. Precut deck assembly

- The decking pieces will overhang the rim joist system by $\frac{1}{2}$ inch on all four sides. See Detail 1.

- Alternate the long and short decking pieces as shown in Figure S5. Place 3 inch long screws at and over every floor joist.

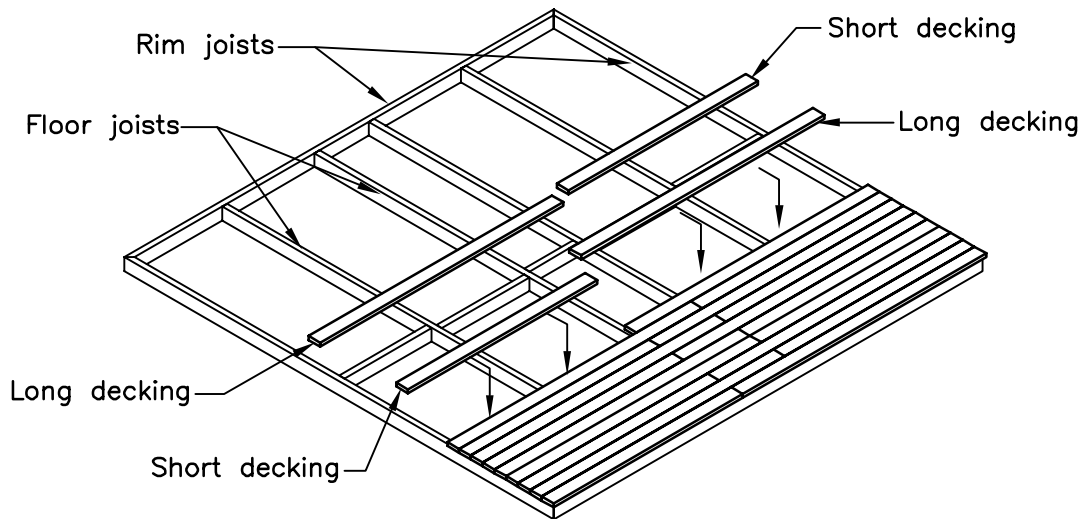
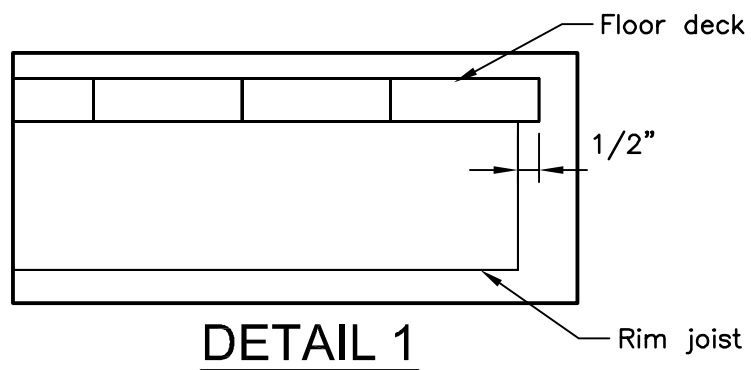


FIGURE S5



B. Panelized deck assembly

- The decking pieces will overhang the rim joist system by $\frac{1}{2}$ inch on all four sides. See Detail 1.

- Place the 4 deck panels on top of the floor joist system. Using 12 to 15-3" long screws fasten the deck panels down onto the floor joists. See Figure S6 on the next page.

Toll Free: 1-800-830-8033

EMAIL: Sales@Cedarshed.com

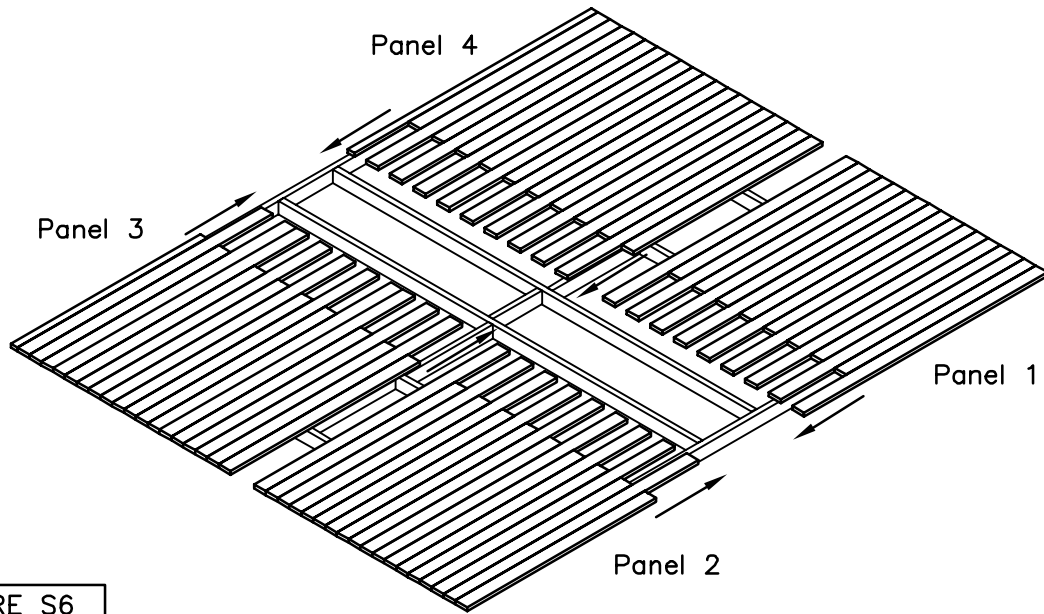


FIGURE S6

4. Wall Assembly

• Figure S7 illustrates the completed wall panels that are ready for erection. See the following pages on how to assemble the wall panels together.

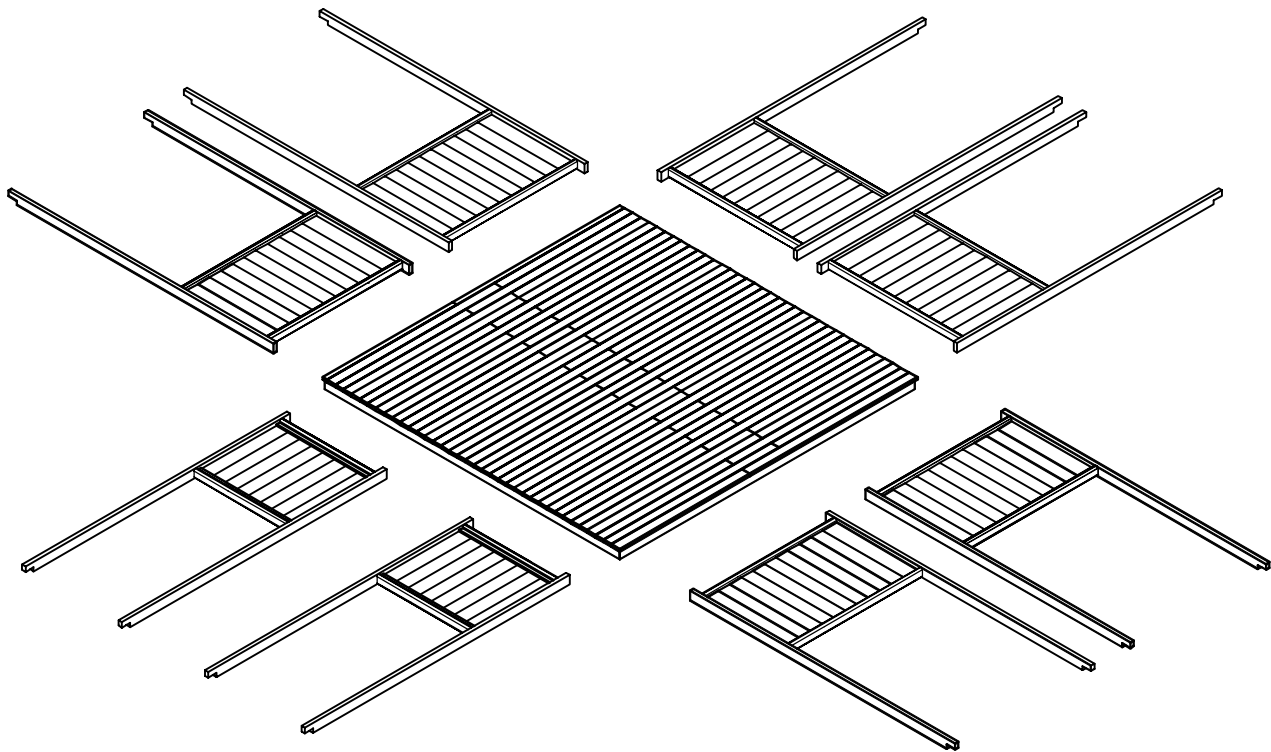


FIGURE S7

Rail Sections

- Lay each section flat on the ground. Affix the nailing strips flush on top and bottom edges and use $1\frac{1}{8}$ " long nail to secure them in-place. Using 2" long screws, attach the handrail to T&G panel. Make sure the screws go through the nailing strips.

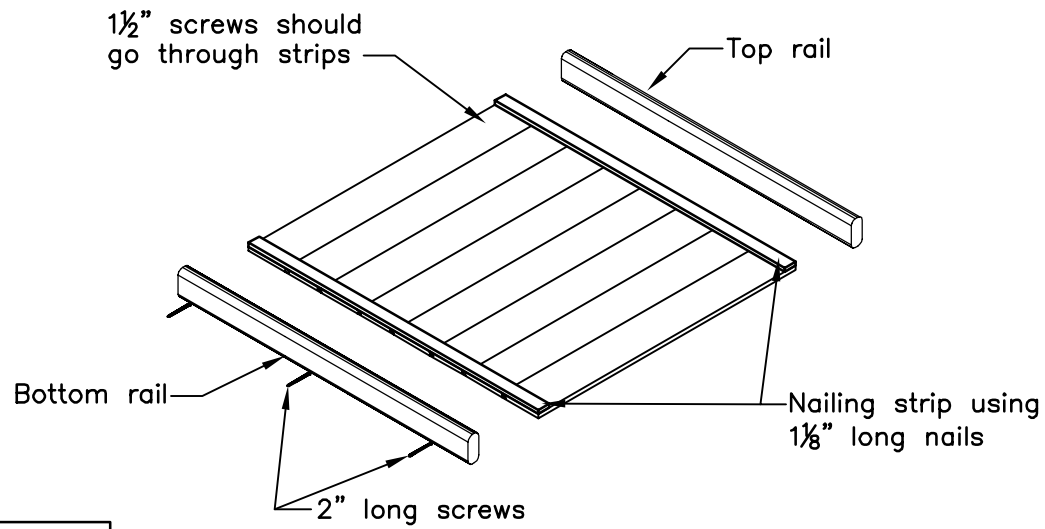


FIGURE S8

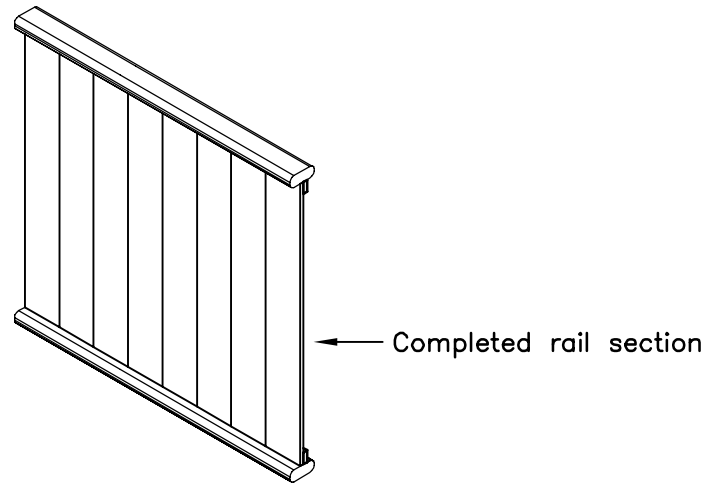


FIGURE S9

EMAIL: Sales@Cedarshed.com Toll Free: 1-800-830-8033

Wall sections

- Identify left and right posts by the bevel edges. See Figure S10 for clarification.
- Take all posts and use $3\frac{1}{2}$ "x $3\frac{1}{2}$ " block to place at the bottom of the post and on the post. The block will be used to affix the bottom rail.
- Now by using the rails, posts and T&G panels, you will produce 3 right wall sections, 3 left wall sections, 1 right doorway section and 1 left doorway section. Use the posts and rails to sandwich the T&G panels into place. Use 3" screws to affix the posts. Refer to Figure S11.

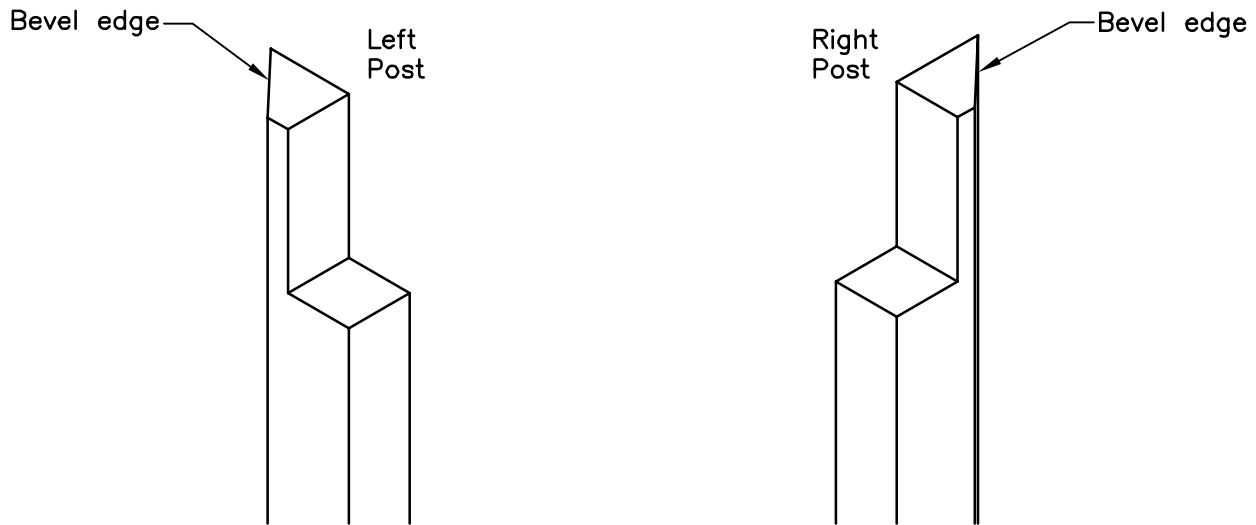


FIGURE S10

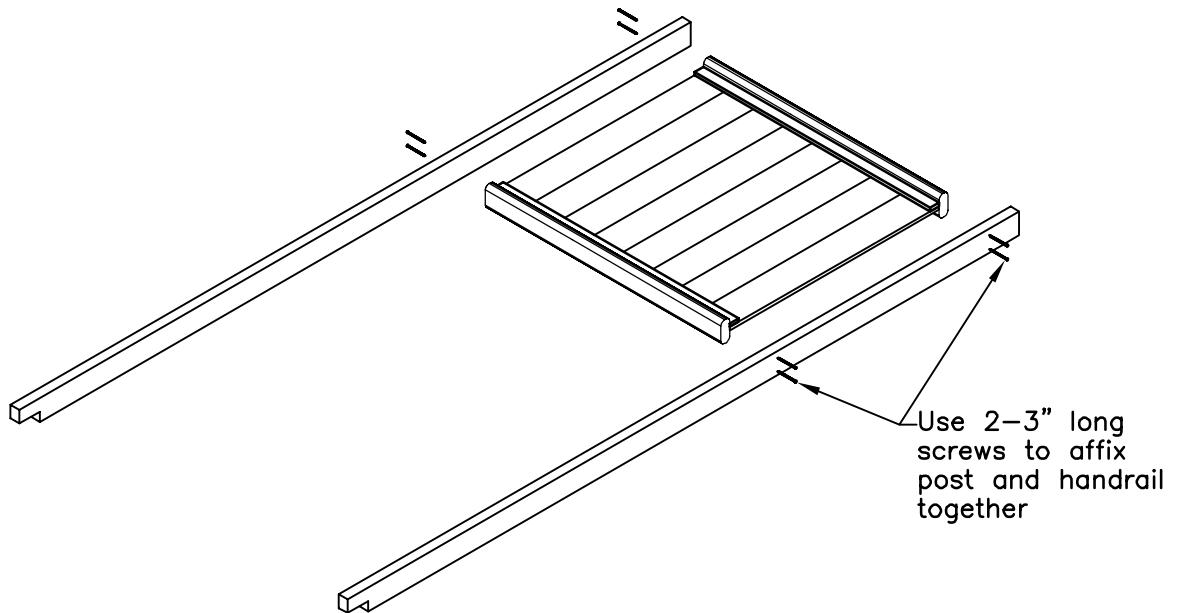


FIGURE S11

Mounting Wall sections

- Affix wall sections together as per Figure S9. Use 3 inch screws to secure the beveled edge of the right post of one wall section to the left post of the adjacent panel. The centre posts are secured together with 3 inch screws. Use approximately 5 screws per joint. Also ensure the top notch cut is facing out wards.
- Once these are secured together. Place the posts in its final resting point on the deck. Refer to Figure S7 for clarification. For those that do not have the optional deck, draw a 10'x10' square on the gazebo's final location. The final placement of the corner posts will be on these spots.

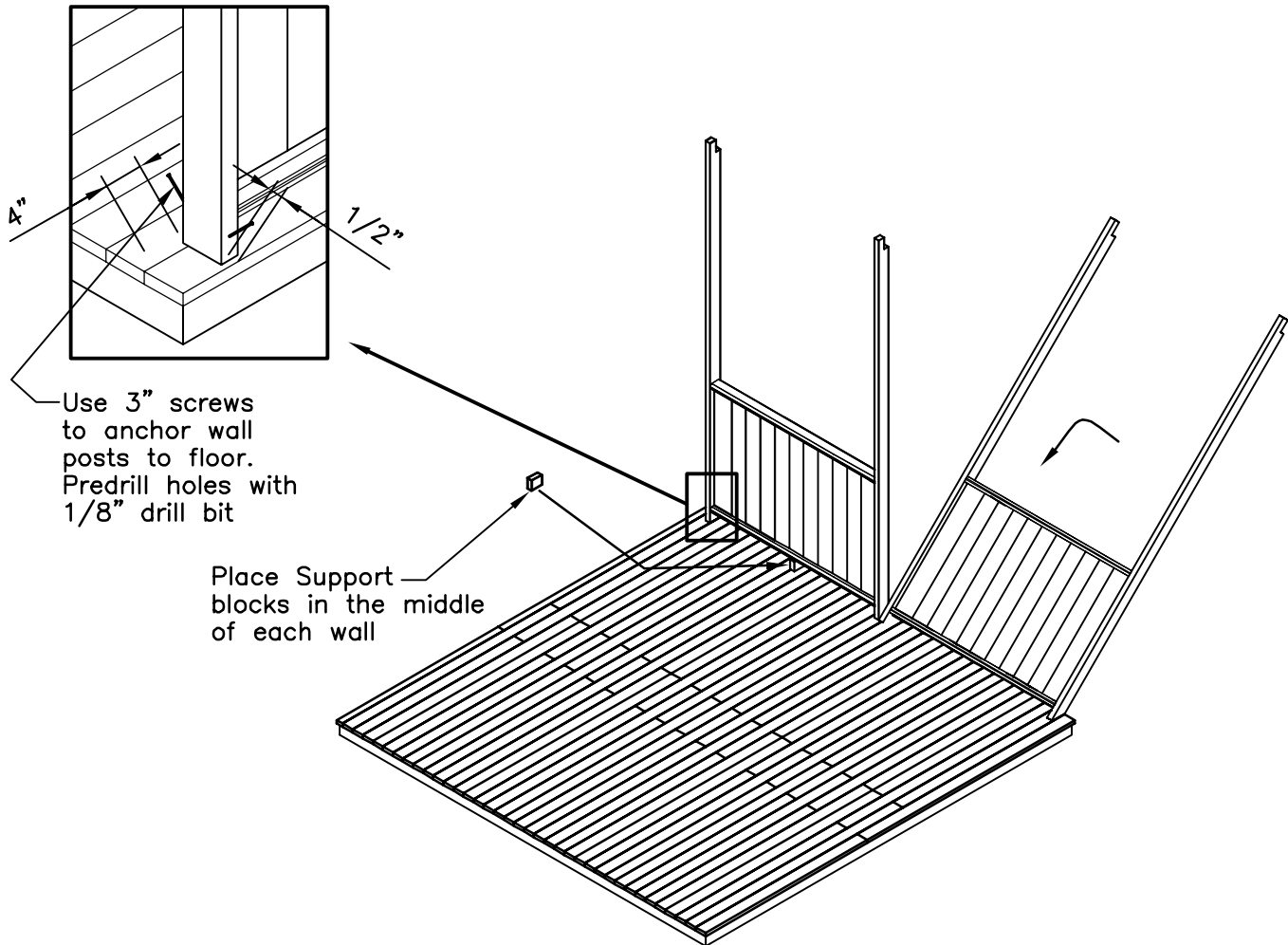


FIGURE S12

- Continue erecting the rest of the completed wall sections and anchoring the walls to the floor. By toe screwing using 3" long screws as shown on the last page.

Use 3"
long screws
to connect
the middle
posts
together

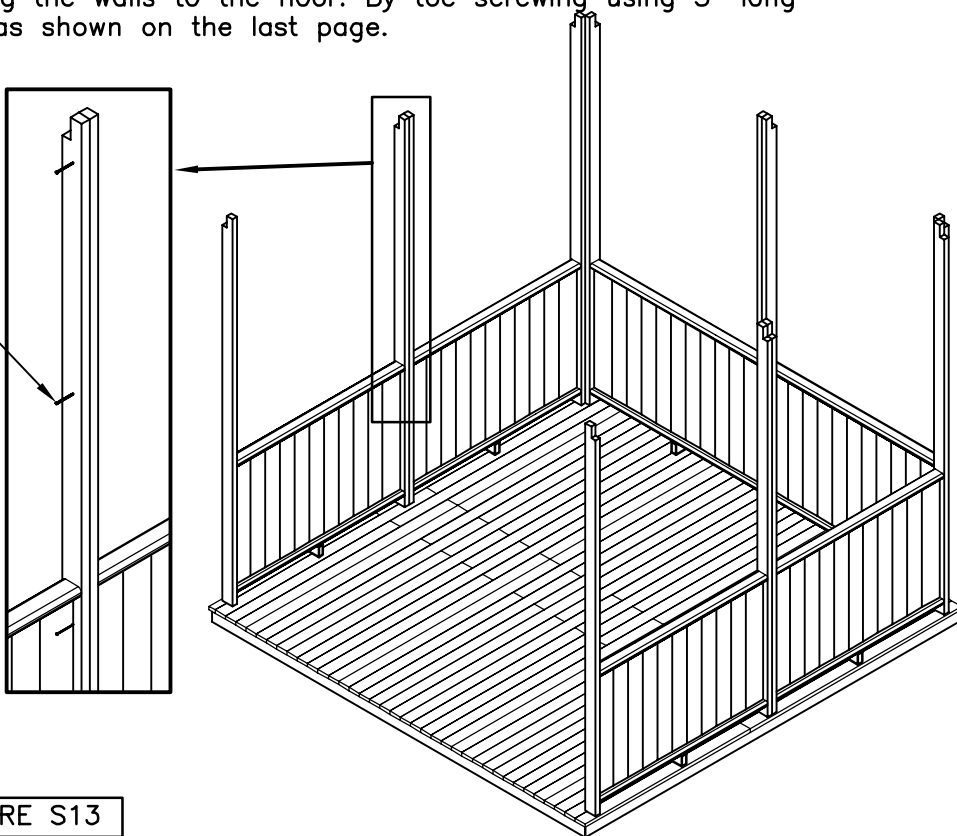


FIGURE S13

- Continue erecting the rest of the completed wall sections and anchoring the walls to the floor.

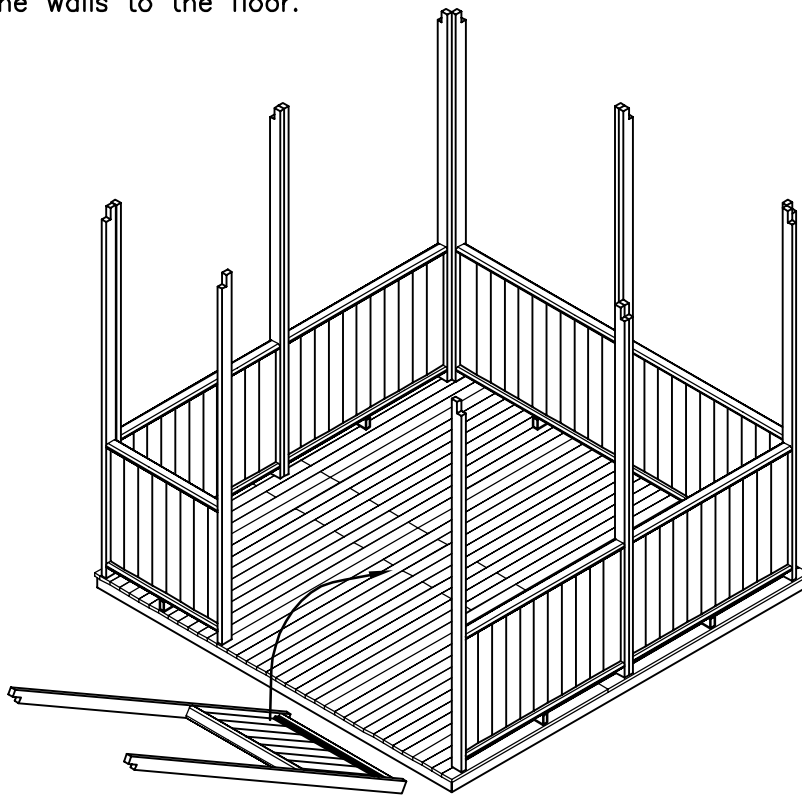


FIGURE S14

● Take the four headers, these will tie the top of all the posts together. Place each header into position in the post notches, securing all 4 headers together and pull the headers tight against the corner posts and screw them to the posts by using 3 inch screws. To mount centre posts, put the level onto the posts. Ensure they are level and secure the headers to posts. Repeat the process for the doorway posts. Refer to Figure S15 for clarifications.

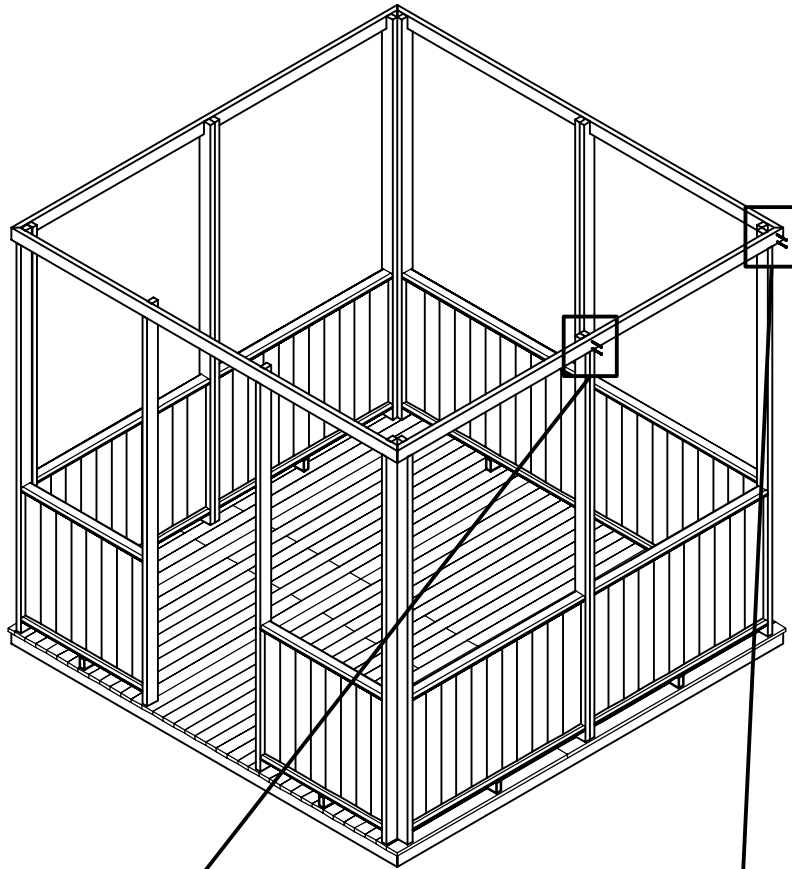
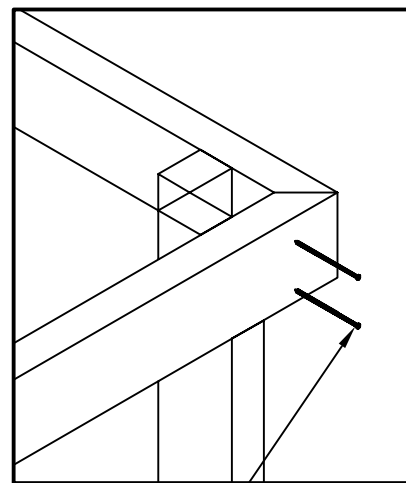
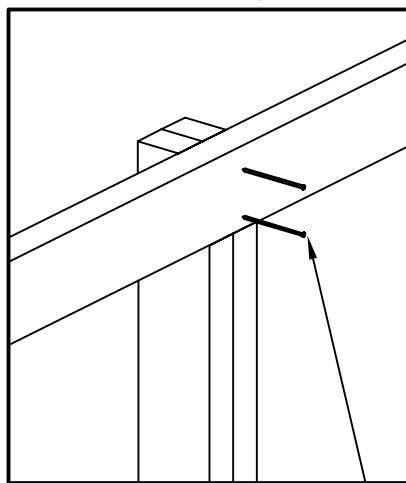


FIGURE S15



Using 2-3" long screws
secure the headers together
at each corner and middle
posts

6. Upper Baluster Section and Corner Brackets.

- Each top baluster skirting section will fit between the posts at the top of the wall section with the 1x2 fillet fitting flush under the header. Secure to the header with 3–2" inch screws. One each approximate 6 inches from each end. Secure the 2x2 fillet to the post by putting the screw through the post into the 2x2. Use 2–3 inch screws one for each end and each side. See Figure S16.

- Each corner bracket has been angle cut to fit between the top baluster skirting and the post. Mount the corner brackets so that they are flush with the outside of the wall section and the top of baluster skirting. Secure the corner brackets with 4–3 inch screws. See Figure S16.

- Repeat the above steps for remaining wall sections.

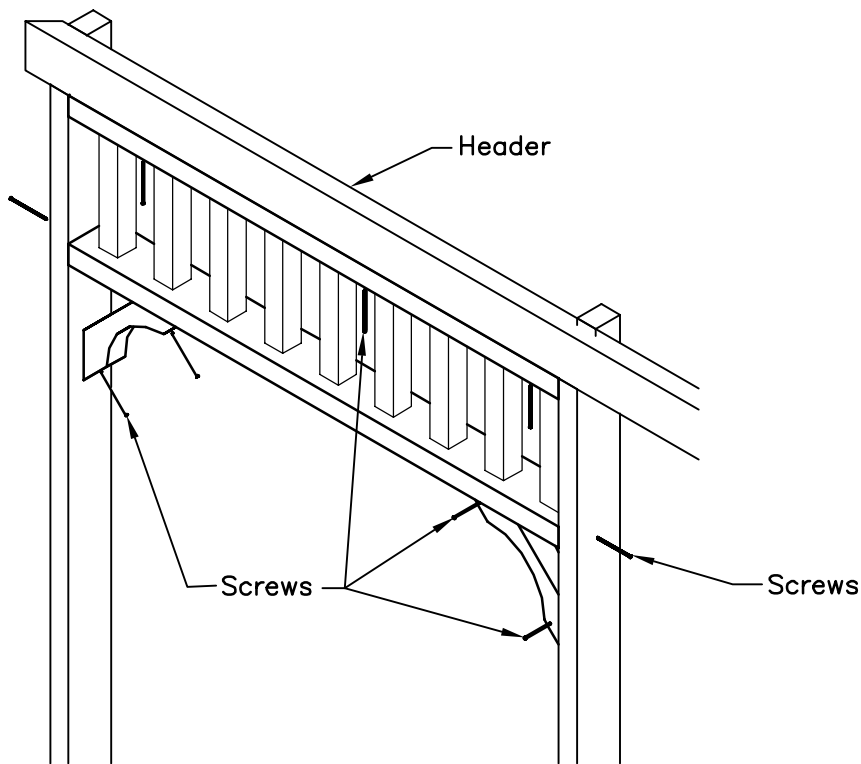


FIGURE S16

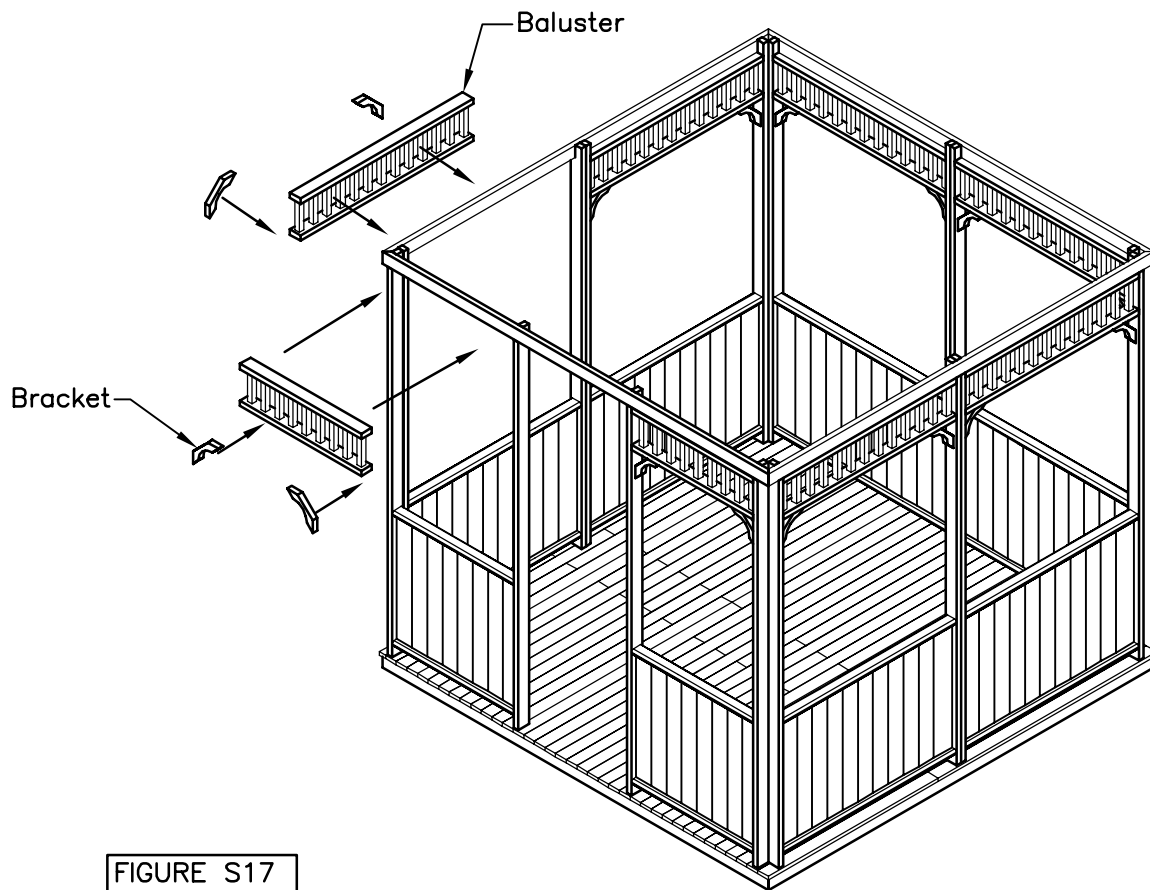


FIGURE S17

- Figure S18 illustrates the completed wall sections with upper baluster and corner brackets in place.

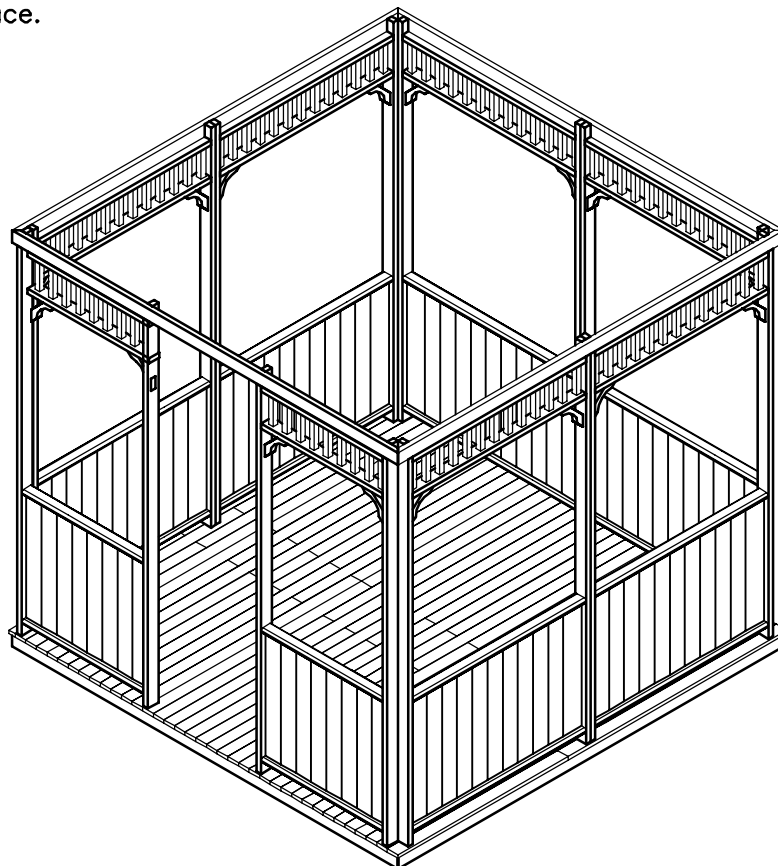


FIGURE S18

7. Rafters and Shingles Assembly

● Figure S19 illustrates roof assembly components.

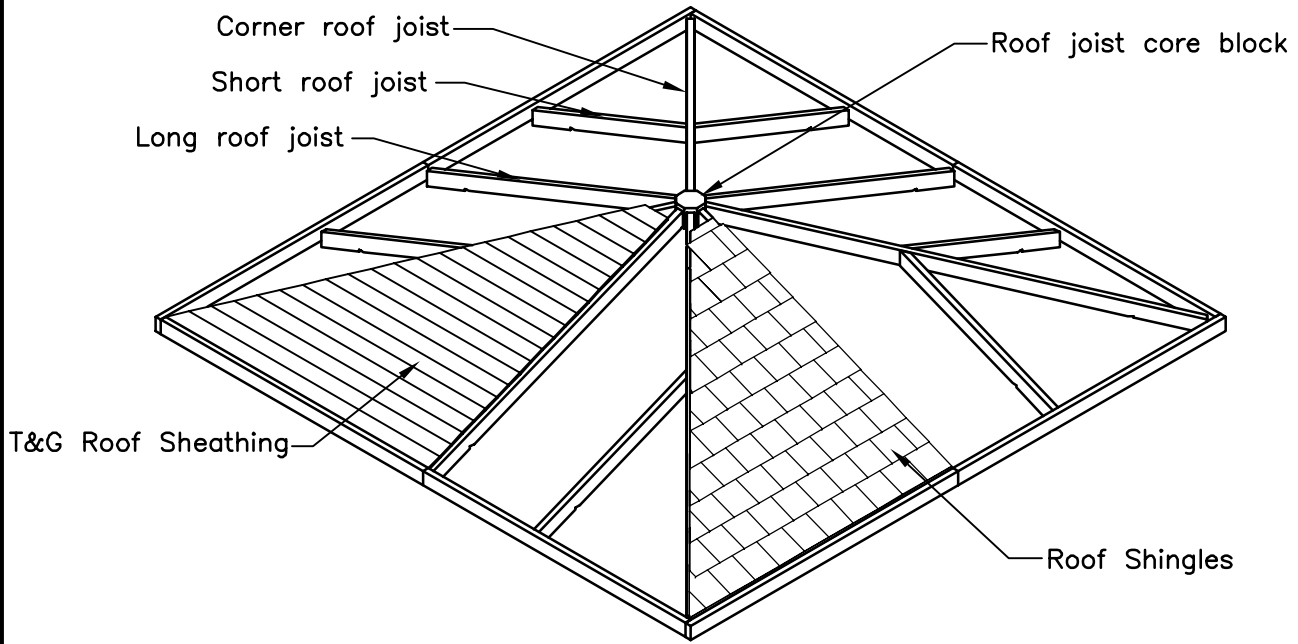


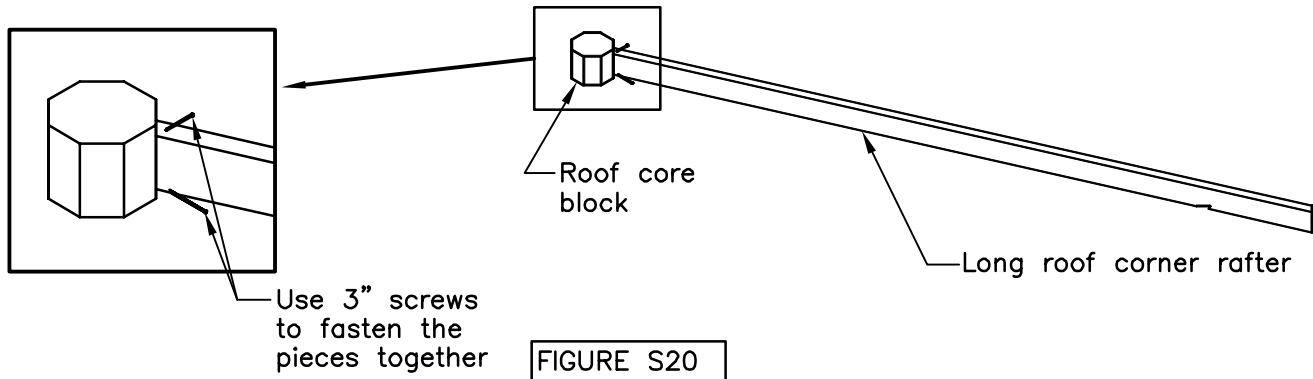
FIGURE S19

Toll Free: 1-800-830-8033

EMAIL: Sales@Cedarshed.com

Roof Rafters

- Attach the roof core block to one of the long roof corner rafters. See Figure S20.



- Place the corner rafter over top of the wall section corner. Toe nail using screws the rafter to header. See Figure S21. Toe nail the short rafters to the header and nail the top of each short roof rafter to the corner rafters using 3 inch screws. See Figure S22 for completion of rafter system.

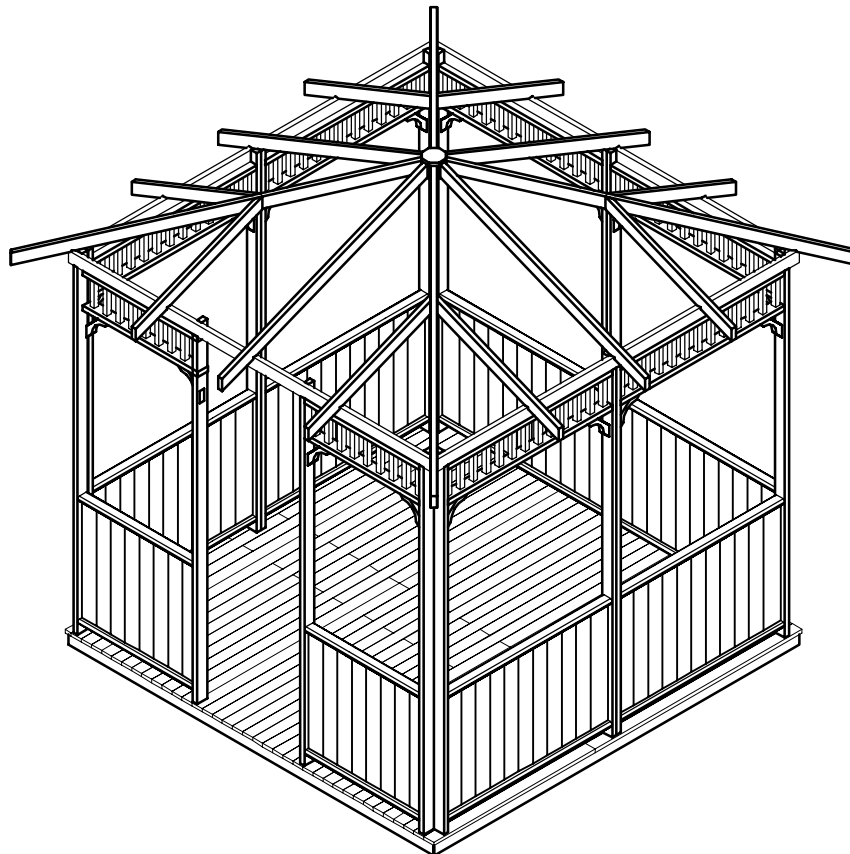


FIGURE S21

● Once the first rafter is up, attach the rafter on the opposite corner. See Figure S22 for the proper sequence. Erect and secure all rafters as shown.

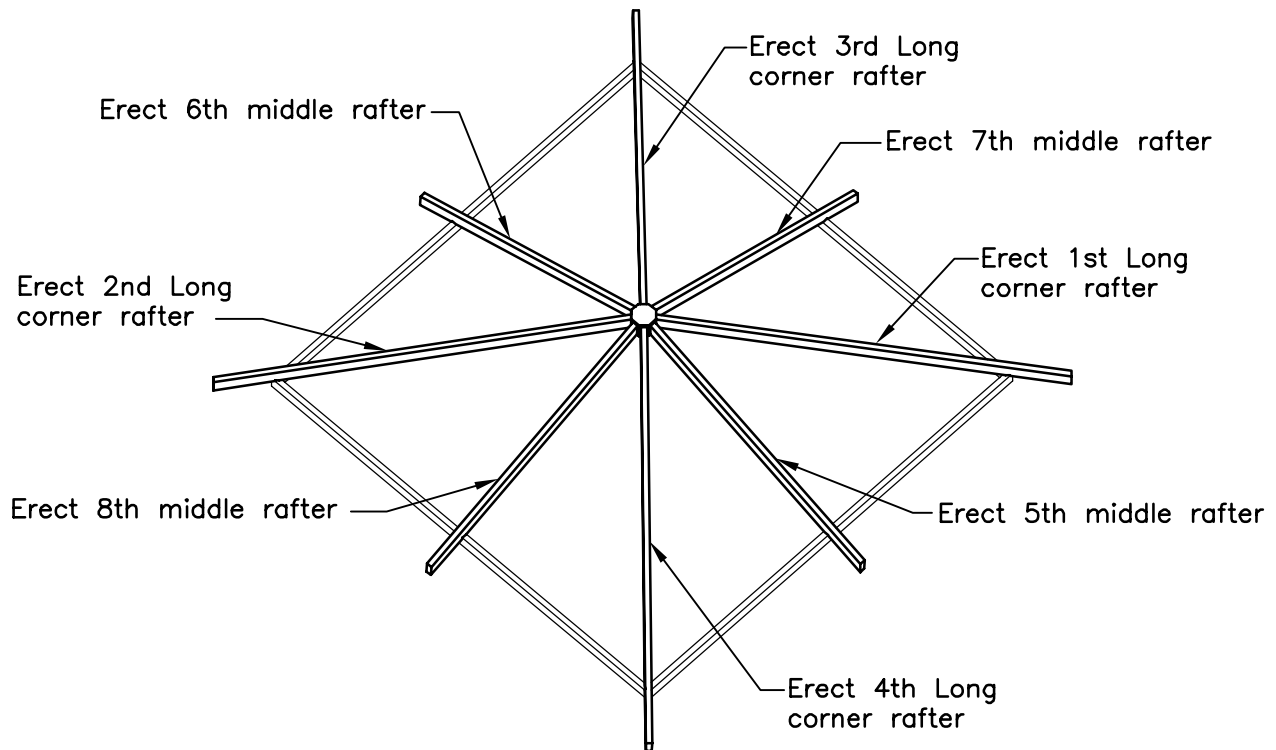


FIGURE S22

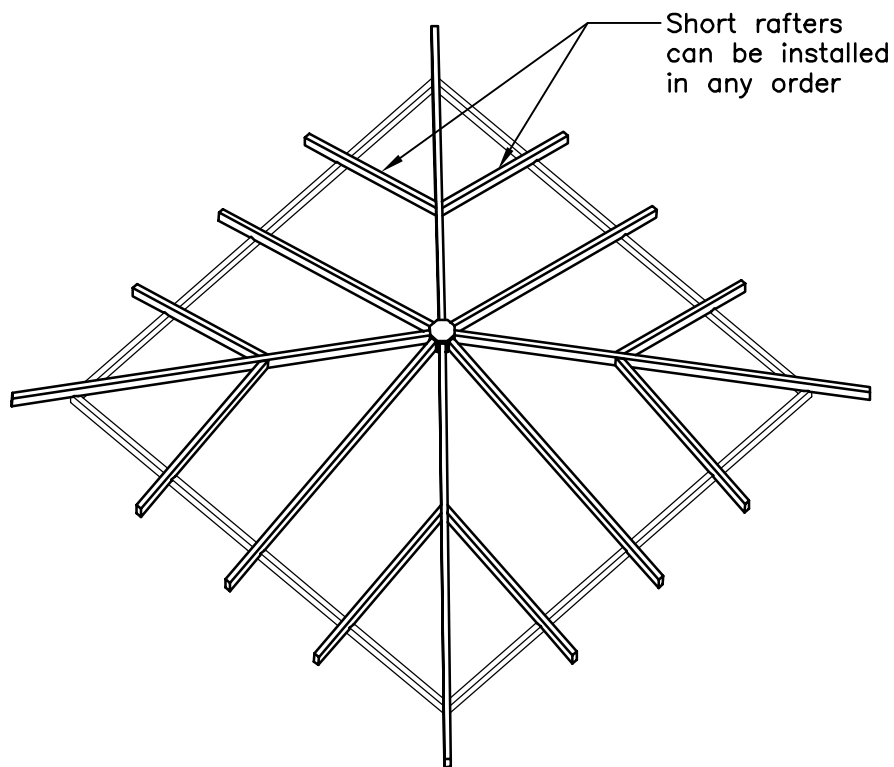


FIGURE S23

- The fascia comes in 8 pieces. See Figure S24 for details.
- The Fascia pieces are not cut to length. However, one end of each piece of fascia has been angle cut. To affix these pieces, please measure for the length of fascia material required and trim the boards to the required lengths. TRIM THE SQUARE END ONLY.

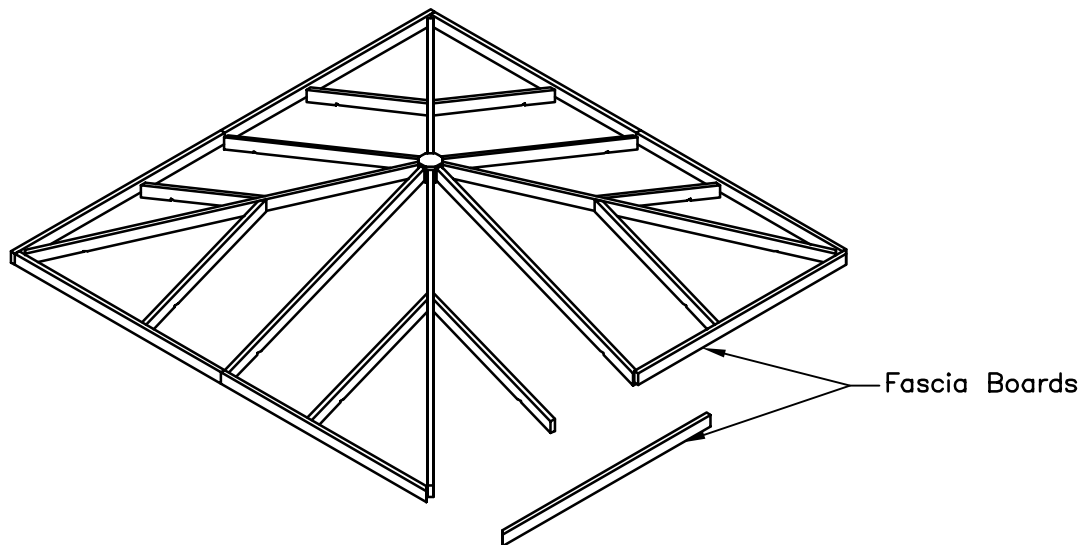


FIGURE S24

Roof Sheathing

- If you purchased the panelized gazebo; for the roof assembly go to page 24 and for pre-cut assembly continue working from this page on-wards.
- The T&G roof sheathing is packaged in a left and right packages therefore one package will cover one half of the one side of roof section. The T&G roof sheathing is a inter locking system. See Figure S25.
- The first row of sheathing will be flush with the fascia boards. Place the first piece and the second will inter-lock into the first one and so on. See Figure S26 for details.

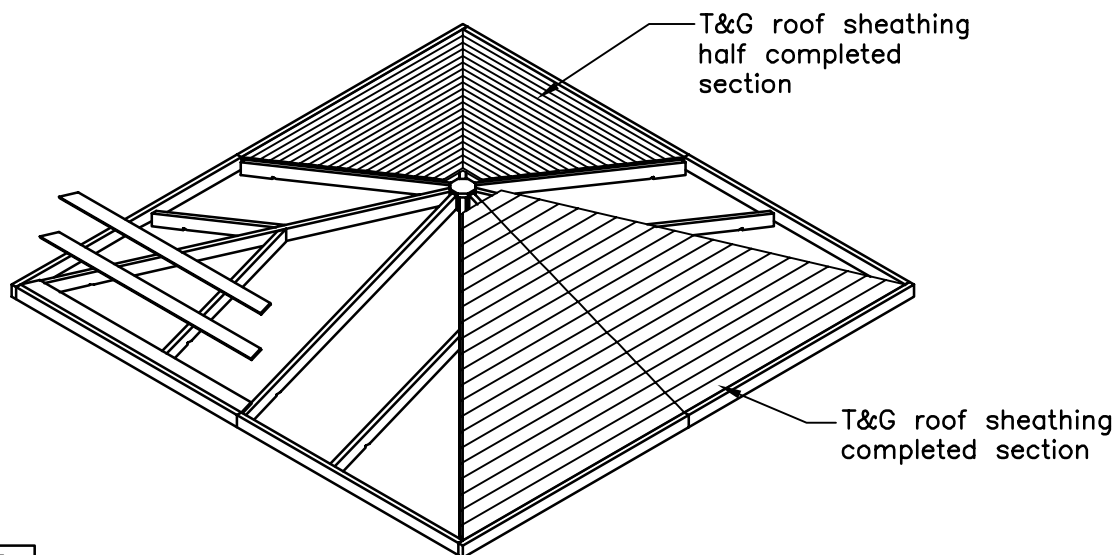


FIGURE S25

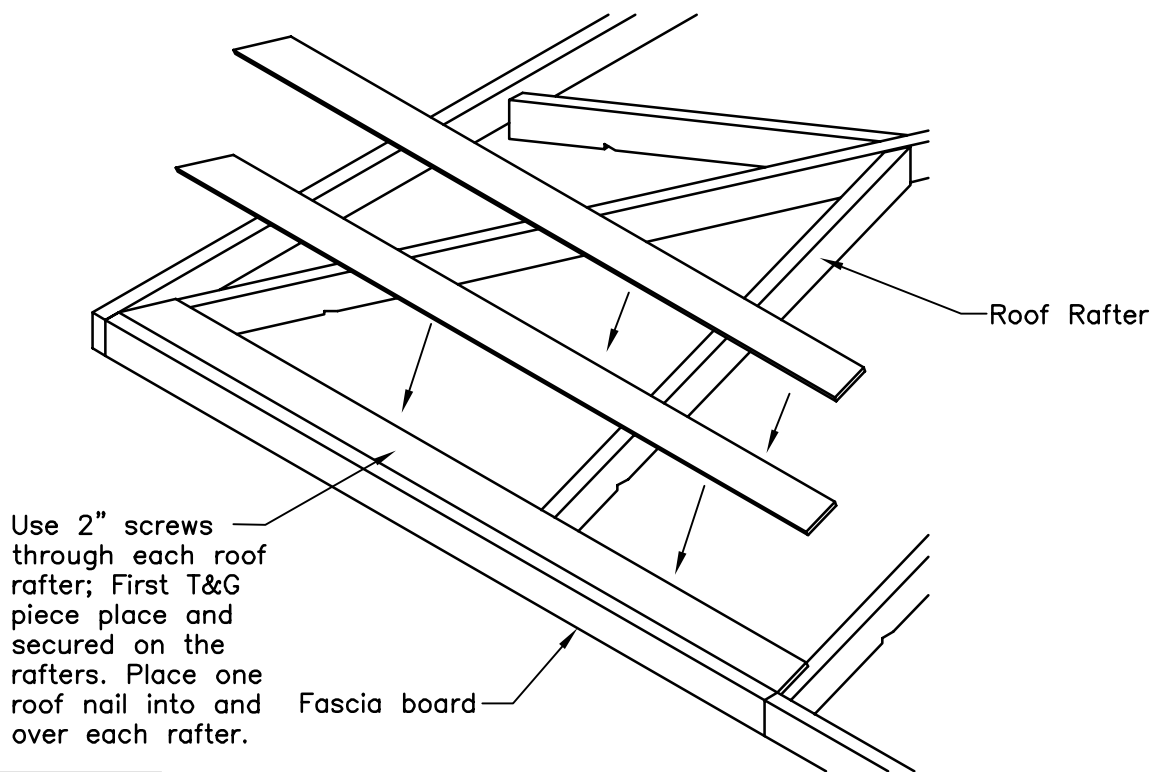


FIGURE S26

8. Roof Shingles, Cupola and Ridge Caps

● Apply the shingles to each triangular section of the roof at a time. Begin each course with one of the angle cut shingles and end with one of the angle cut shingles. Make sure the first course overhangs over the fascia therefore the fascia is fully covered on top. The first 2 courses will be overlapped by approximately $\frac{1}{2}$ inch. See Figure S27 for proper overhang. Be sure to apply the nails approximately $8\frac{1}{2}$ inches from the bottom edge of the shingle. This will allow the overlap of the next course of shingles to cover the nails from the weather, use 1 inch roofing nails.

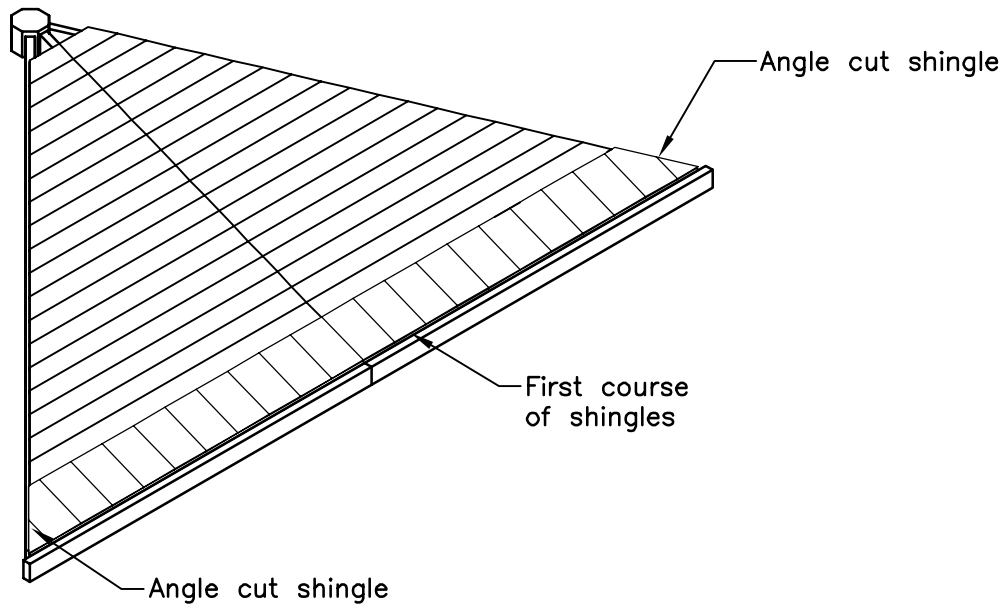


FIGURE S27

● Figure S28 shows the roof with the first 2 courses in place. As you can see, the second course is completely overlapping the first course.

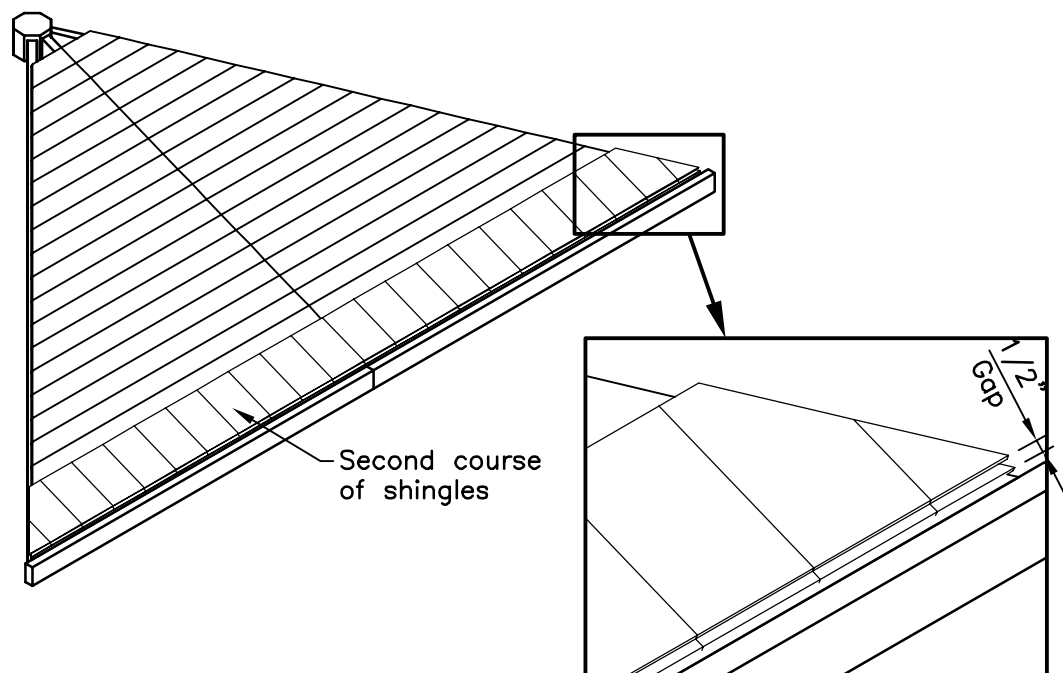


FIGURE S28

- When applying additional courses of shingles leave approximately $7\frac{1}{2}$ inches to weather. See Figure S29 for proper overlap.

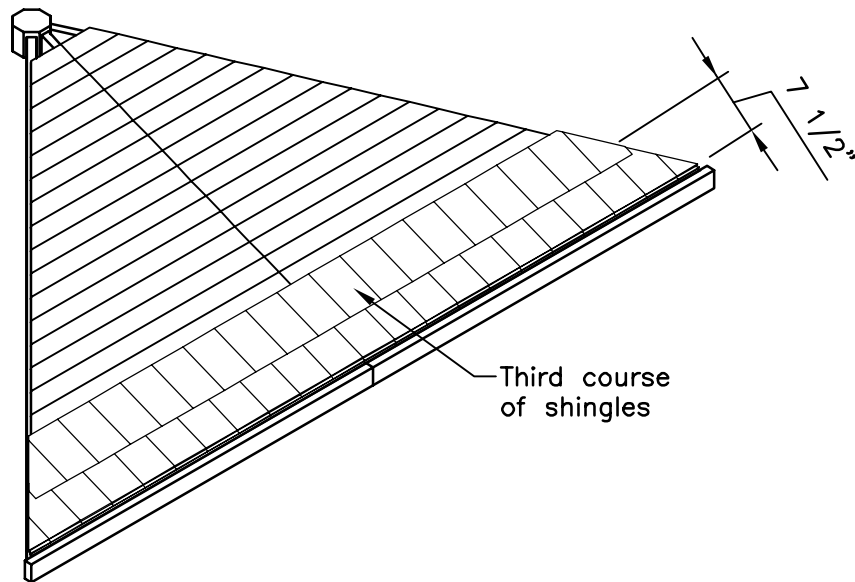


FIGURE S29

- See Figure S30 for completed diagram of shingled roof.

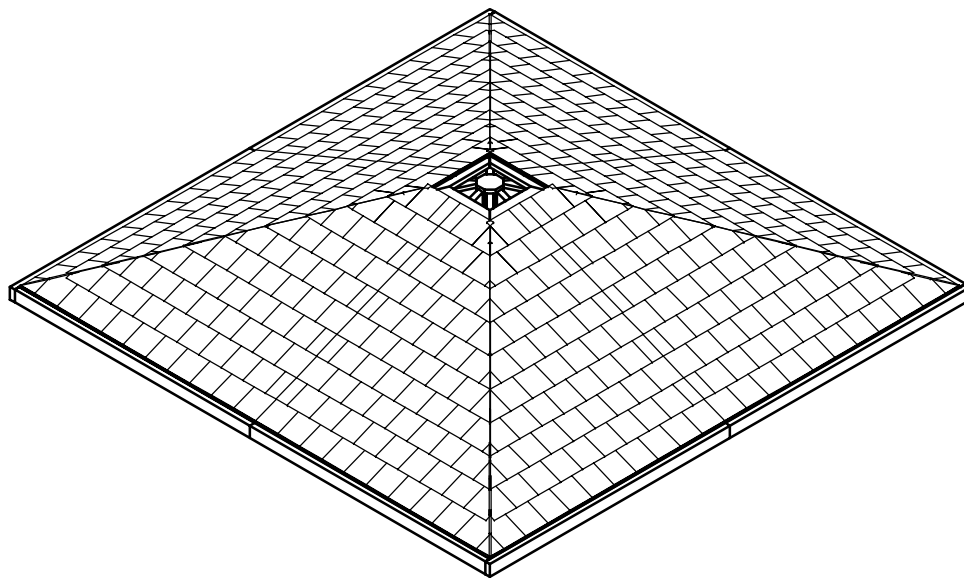


FIGURE S30

Panelized roof panels

- When you purchase the panelized gazebo the roof panels come in 4 package which contains left and right roof panels. Simply with the help of another persons lift up the panel and install it on top of already install rafters. Secure Using 3" long screws provided. See Figure S31 for illustration.

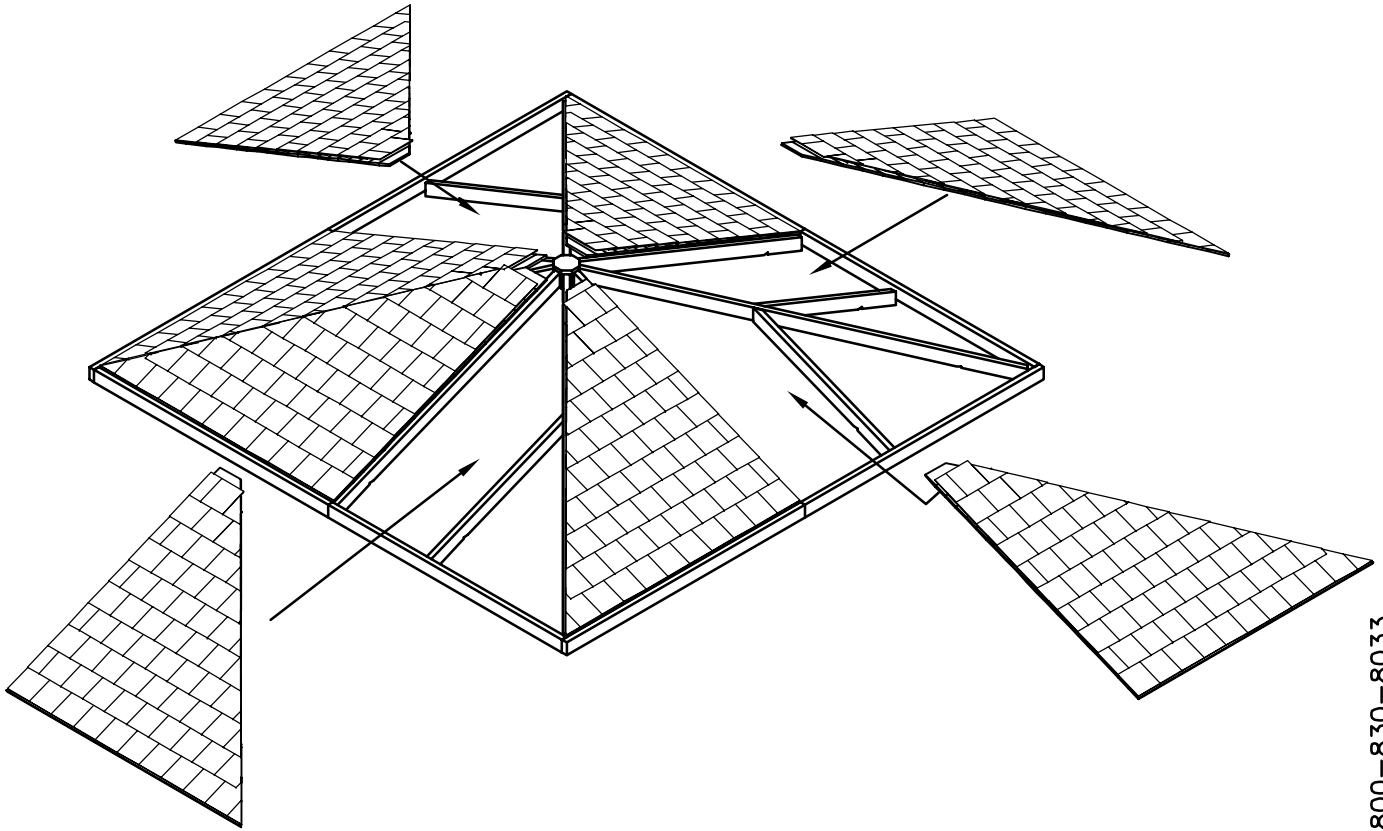


FIGURE S31

● To mount the cupola, remember that the cupola sidewall posts will line up with the seams of each triangular section of shingles. Similarly, the ridge caps will evenly match the sidewall posts. Refer to Figure S32 for proper placement. Once the cupola is properly placed it can be toe nailed to the roof with twelve 3" long nails. The bottom of cupola sidewalls have been beveled to match the slope of the roof.

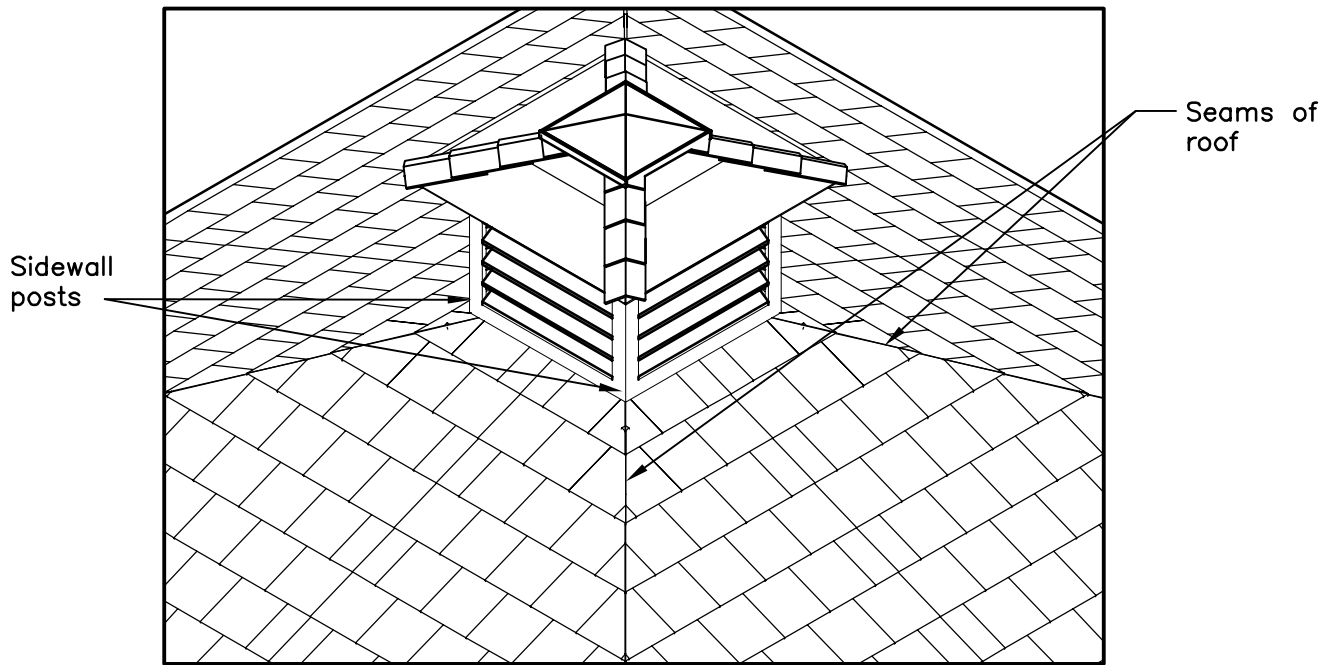


FIGURE S32

● Ridge caps are applied on the same basis as the shingles. The 1st two courses of the ridge caps will overlap; however, each course will overhang the shingles by $\frac{1}{2}$ inch. See Figure S33 for proper overhang.

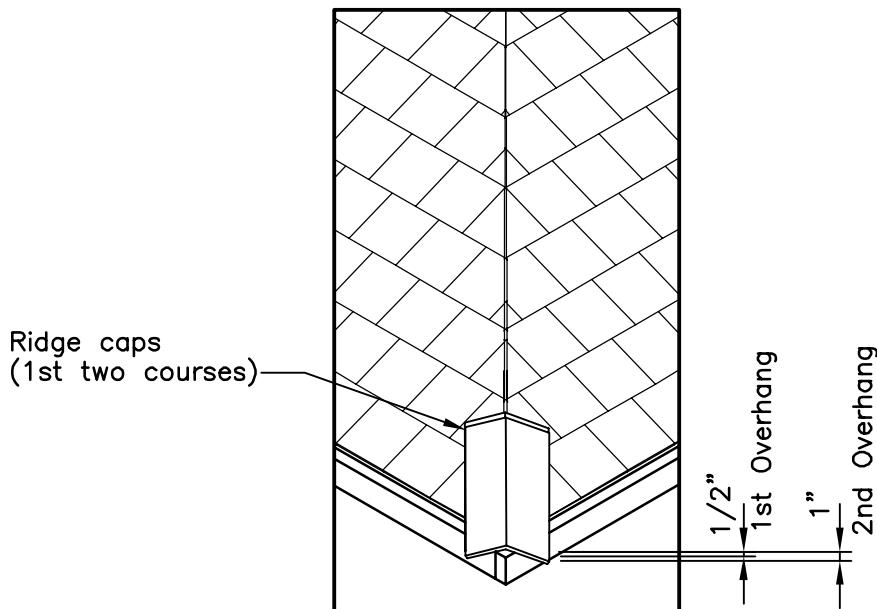


FIGURE S33

- When nailing the ridge caps down, remember to apply the nails approximately $8\frac{1}{2}$ inches from the bottom edge of ridge caps. This will allow the overhang of the next course of nails to cover the nails from the weather. Use 2 inch long roofing nails.
- Figure S34 shows how the 2nd course of the ridge caps will be applied. Remember to leave $7\frac{1}{2}$ inches to weather.

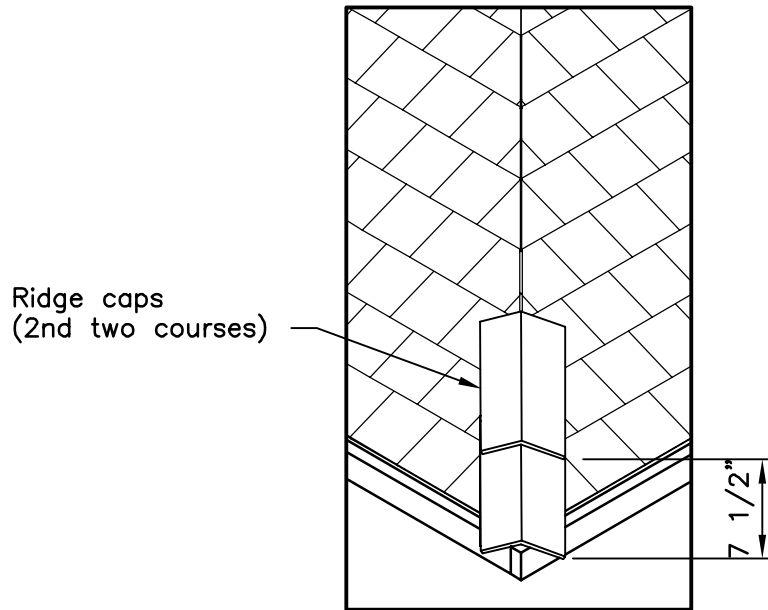


FIGURE S34

- When applying the last course of ridge caps, you will notice that the ridge caps will be too long. Trim the ridge cap so that it will fit perfectly against the cupola. At this point you, may wish to apply a good quality roof caulking between the cupola and the ridge caps to prevent the roof from leaking.

CONGRATULATIONS!

You have successfully completed the assembly of your Cedarshed Square Gazebo. We hope that your entire experience was a rewarding one and we hope you and your family will enjoy our product for years to come.

Call Cedarshed if you require additional information.

TOLL FREE CUSTOMER SUPPORT: 1 800 830 8033

Mailing address:

In Canada:
Cedarshed Industries (1992) Inc.
9770 – 199A Street
Langley, BC V1M 2X7
Canada

In USA:
Cedarshed Industries (1992) Inc.
P.O. Box 2189
Blaine, WA 98231
USA

