



## TUSCANY II PERGOLA

Add a beautiful outdoor room to your home

It does much more than bring all your outdoor elements together, it bring families and friends together. It creates an attractive focal point on your deck or grounds—an environment that begs to be decorated. Nothing you can do to your home can, so quickly, easily and affordably, produce such a visual impact while adding permanent value.

### Tuscany II Pergola Features

- Classic column-and-beam arbor is designed for long-lasting outdoor use.
- Assembles with a single tool (included). Easier to put up than any type of gazebo.
- Weatherproof, heavy-duty trellis supported by 150 lb glass fiber reinforced columns.
- Reinforced resin and fiberglass construction with realistic wood and stone finish.
- Each column needs to be firmly secured to your deck, patio, or ground.
- Hardware should be sprayed with a clear lacquer sealer after pergola is assembled.
- Adds a distinctive character to deck or grounds.
- 1 year warranty on finish. 1 year structural warranty.



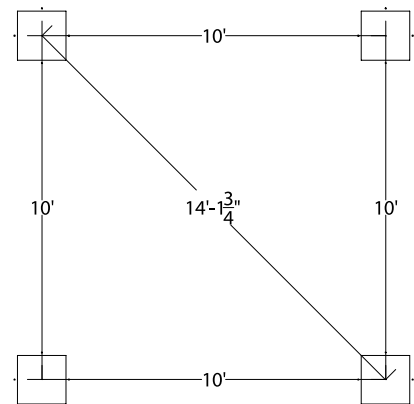
**Column** is created with realistic details that add beauty and style to your outdoor room.

**NOTE:** Printing color may vary slightly from actual product.

### Tuscany II Pergola

| MODEL   | HEIGHT  | WIDTH  | DEPTH | WEIGHT       |
|---|---------|--------|-------|--------------|
| TUSCANY II  | 98 1/4" | 171"   | 171"  | 1000 LBS     |
| <b>COLUMN</b><br>COLUMN DIAMETER—10"<br>COLUMN BASE WIDTH— 12 X 12" | 82 1/4" |        |       | 150 LBS each |
| SUPPORT BEAMS   | 10 1/4" | 5 1/4" |       | 97 LBS each  |
| TOP BEAMS   | 10 1/4" | 5 1/4" |       | 47 LBS each  |

**NOTE:** Pergolas must be anchored to footings, deck or patio slab.



Dimensions above are in inches. Reference dimensions only. We recommend measuring individual units at installation. Refer to installation manual for detailed specifications on installing this product.



2015 Silver Bell Road • Suite 195 • Eagan, MN 55122  
Toll Free: 1-866-303-4028 • Sales@OutdoorRooms.com

OutdoorRooms.com