



SONOMA 14 PERGOLA

Create a European look in your own back yard

Now you can enjoy the beauty and elegance of a gorgeous arched pergola – right in your own back yard. Enjoy sitting out under a beautifully-crafted wooden structure, while it protects you from harsh sun and wind. Create an outdoor living room today.



Pictured in Redwood.

NOTE: Printing color may vary slightly from actual product.

Sonoma 14 Pergola Features

- White Cedar Wood
- 14' x 14' design
- Precision cut and ready-to-assemble
- Optional 16-piece lattice shade roof
- Anchor System (required)
- Optional privacy wall
- Screen and roof lattice offer wind and sun protection
- Arched roof custom design
- Available in redwood, mocha or grey stain
- 1 year warranty on structure

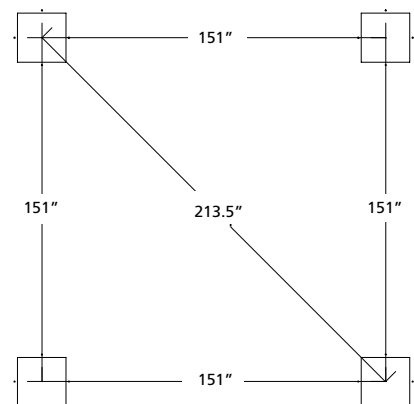
Sonoma 14 Pergola Specifications

MODEL	HEIGHT	WIDTH	DEPTH	WEIGHT
SONOMA 14-R	112"	188"	188"	735 LBS

NOTE: Pergolas must be anchored to footings, deck or patio slab.

OPTIONS FOR SONOMA PERGOLA IN REDWOOD	MODEL
Lattice in Redwood (order 4 boxes)	SONOMA14-R-LATT
Wall Supports & Panels in Redwood (kit)	SONOMA14-R-WALL-K
Decorative Post Bases in Redwood Finish	POSTBASE-R

Options also available in mocha and grey.



Dimensions above are in inches. Reference dimensions only. We recommend measuring individual units at installation. Refer to installation manual for detailed specifications on installing this product.



12400 Portland Ave South • Suite 195 • Burnsville, MN 55337

Toll Free: 1-866-303-4028 • Fax: 952-358-7414

Sales@OutdoorGreatrooms.com • OutdoorGreatrooms.com